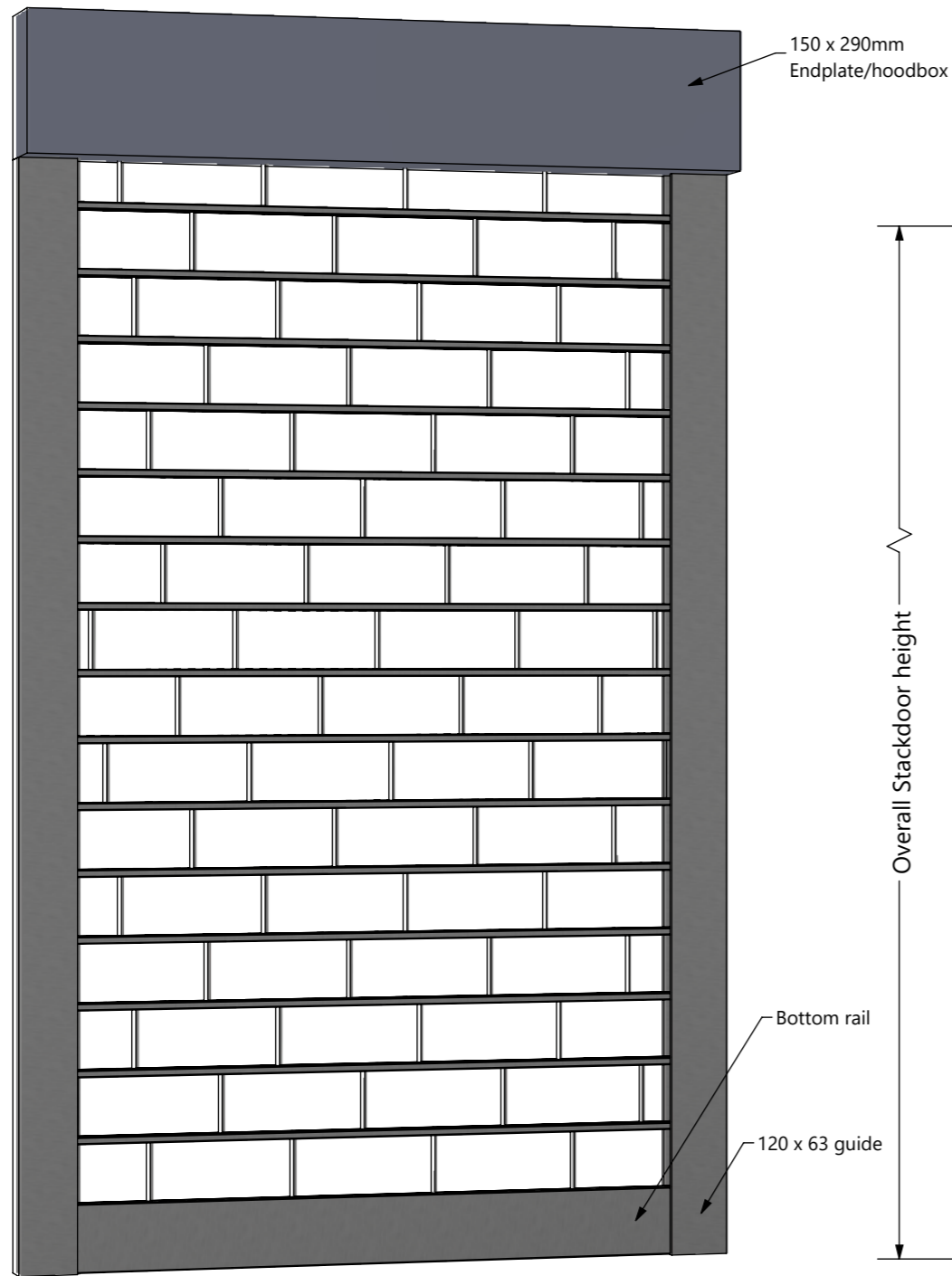
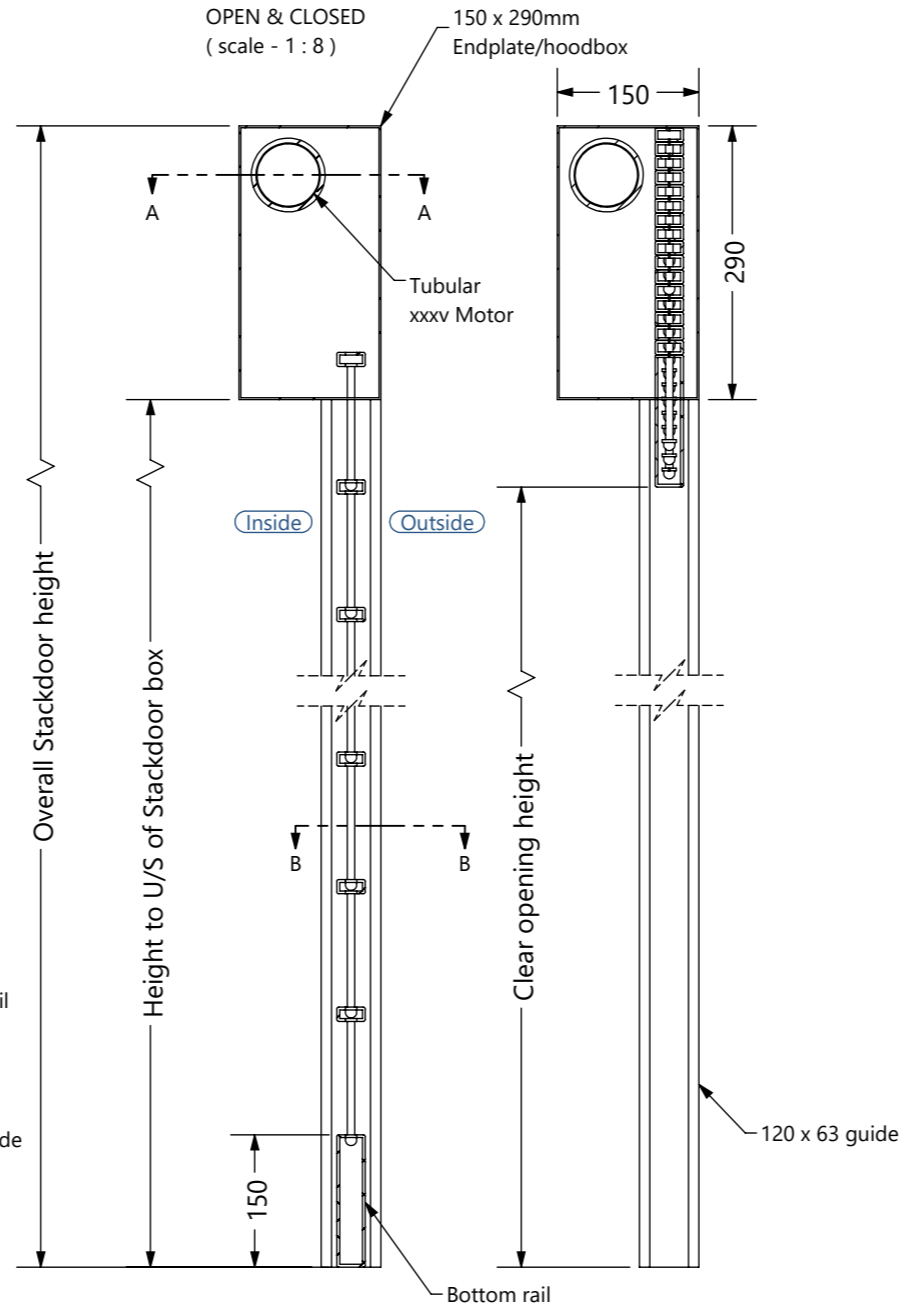


**Elevation**  
(scale - N.T.S)

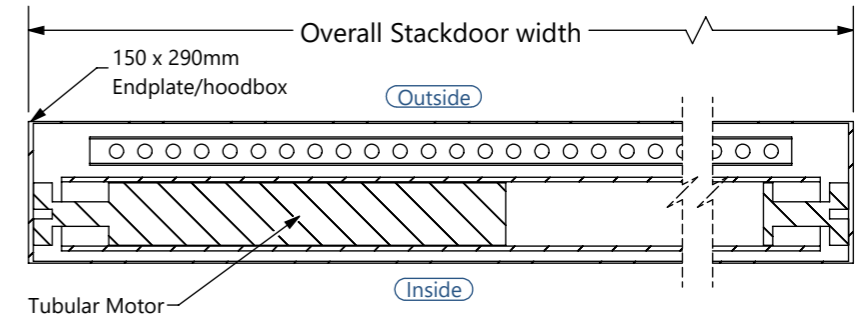


# STANDARD STACKDOOR - Tube Motor

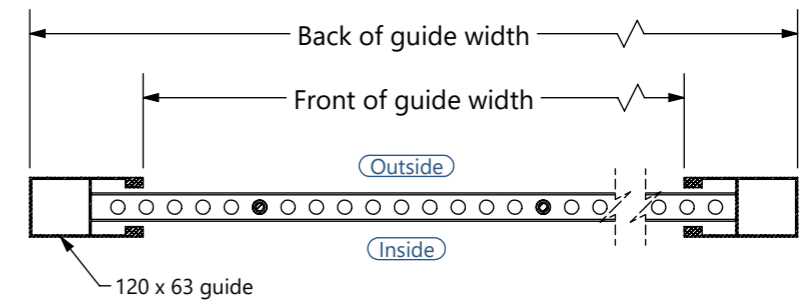
**Section**  
OPEN & CLOSED  
(scale - 1 : 8)



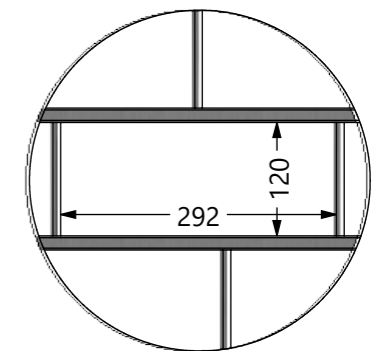
**Plan through: A-A**  
(scale - 1 : 8)



**Plan through: B-B**  
(scale - 1 : 8)



**STACKDOOR**  
Provides clear openings of  
292 x 120



NOTES: This drawing is copyright and must not be reproduced whole or in part without prior written consent.



DRAWN BY:  
EK  
CHECKED BY:  
--  
APPROVED BY:  
RM

REVISIONS:  
A - Initial Issue - 11/07/2018 - EK  
B - - -  
C - - -  
D - - -  
E - - -  
F - - -  
G - - -  
H - - -  
I - - -  
J - - -  
K - - -

PROJECT:  
Standard StackDoor - Tube Motor  
DRAWING TITLE:  
**WORKING DRAWING** - security shutter detail  
to suit:

SCALE: 1:10 @ A3  
Projection: first angle  
DATE: 11/07/2018  
PROJECT NO: SD-STD  
DRAWING NO: 110 A