



 **UK ROLLER SHUTTERS**
SUPPLIER & FITTER OF ROLLER SHUTTERS

RAPID ROLL PVC (SELF-REPAIR) DOOR

RAPID ROLL PVC (SELF-REPAIR) DOOR

FNRLLC PVC Model



PRODUCT DESCRIPTION

If you run a busy work yard with constant traffic, for example - a forklift or transport yard, you will recognise the need for a rapid roller shutter door. Where efficiency, speed and reliability are imperative, our fast action rapid roller doors offer the ideal solution for your workspace.

With a speed from as little as 1 second per 1000mm to open or close, these doors can quickly reduce heat loss and restrict sound flow. Where keeping heat and noise in or out is critical, our Rapid Roller shutter doors are ideal. There is no compromise with either security or aesthetics. If the curtain is struck it has the ability to automatically reset itself into the guides, but in certain situations a manual reset may be required.

Suitable for both commercial and industrial environments these doors can be delivered and installed in large sizes. Due to their nature these doors are only available as an electric option.

IDEAL USES

- Internal openings
- Warehouses
- Loading bays
- Anywhere where there is a need for climate control such as the food processing, chemical and pharmaceutical industries, or a greater need for security.

KEY FEATURES

Large range of rapid closing roller shutter doors that enable quick access or quick denial to the premises which will save on energy costs, allow faster material handling, reduce the chance of impact damage and provide faster security.

TECHNICAL SPECIFICATIONS

Shutter Curtain

Made from polyurethane enamel coloured, high strength, PVC which sits inside a metallic frame with a top mounted mechanism, made of anodised aluminium with an airtight closure due to zip seals within

the guides.

Finish

Can come in a range of 12 colours. See colour chart in Downloads tab below.

Operation

3-phase GfA motor with automatic safety edge and photo cells.

Safety Features

2500mm Cat 2 sequential light curtain (spec in Downloads) or head plate & guide photocell for doors above a clear opening height of 2500mm.

Bottom Rail

Flexible soft ballast filled.

OPTIONS AND VARIATIONS

Vision

Vision panels are available in all of our Rapid Rolling PVC shutters.

Hoods/Fascia's

Galvanised steel hoods can be supplied to cover the coiled shutter and motor.

Controls/Operation

Key switches

Radio/remote Control

LED traffic lights

Key fobs

Wireless push button controls

Rocker switches

Timer closing

Motion Detectors

Magnetic Induction Loops

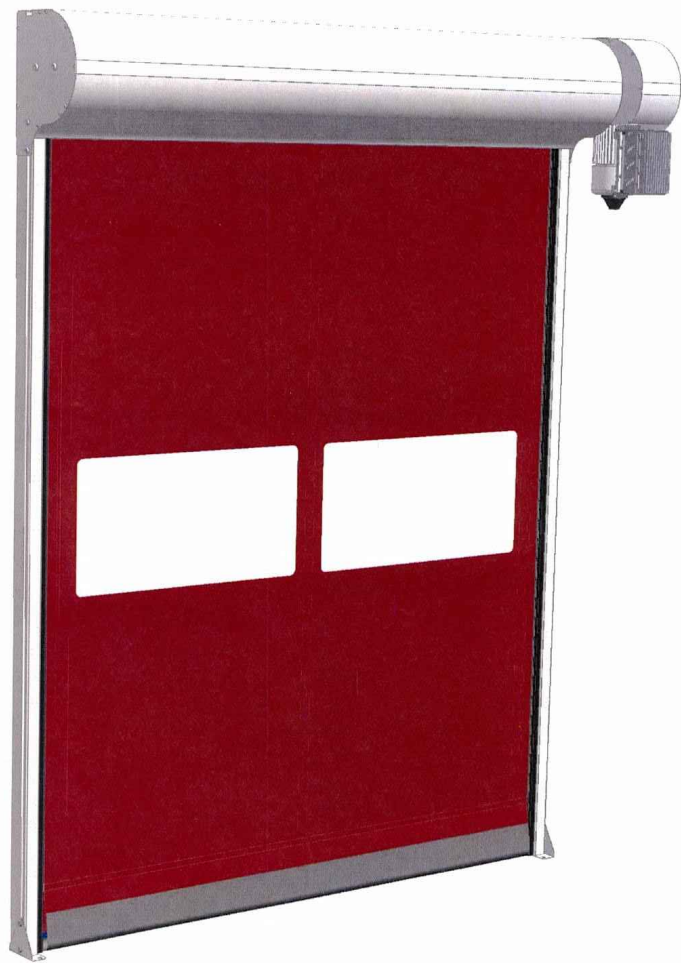
ILLUSTRATIONS

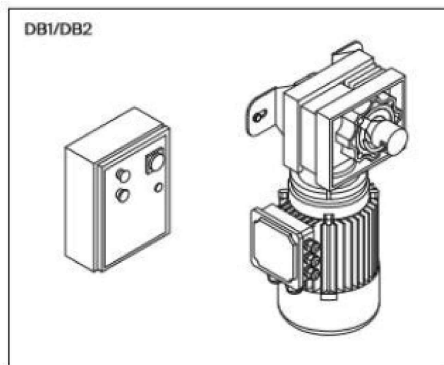
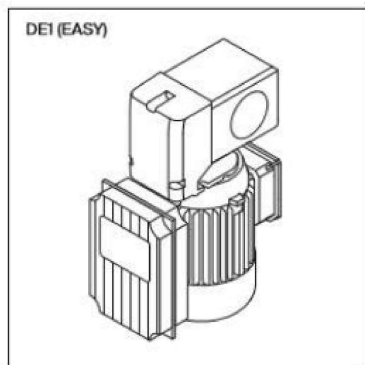












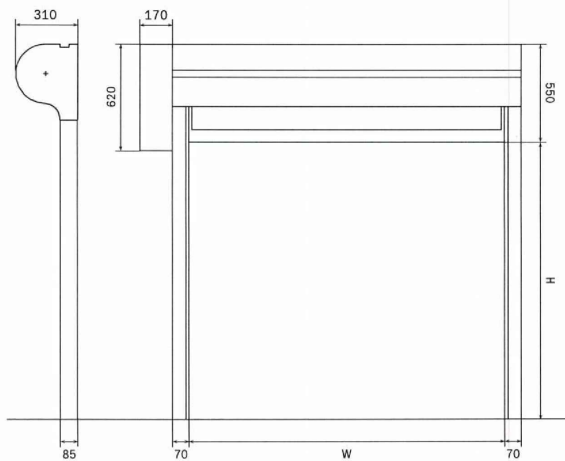
Automation type	DE1 (Easy)	DB1	DB2
Main supply	230V AC single phase	230V AC single phase	208 - 460V AC 3phase
Frequency	50/60Hz	50/60Hz	50/60Hz
Main supply current	10/16A	10/16A	10A
Driver type	Inverter	Inverter	Inverter
Position control	Vectorial + limit switches	Encoder or limit switches	Encoder or limit switches
Control by frequency	Speed and ramps	Speed and ramps	Speed and ramps
Ausiliary supply	12V DC - 0,5A	24V AC - 0,5A	24V AC - 0,5A
Duty cycle	3 cycles/min	3 cycles/min	3 cycles/min
Functioning	Automatic closing/ step by step	Automatic closing/ step by step	Automatic closing/ step by step
Opening	Total/partial	Total/partial	Total/partial
Protections	Thermal/Current/Voltage	Thermal/Current/Voltage	Thermal/Current/Voltage
Auxiliary output	Brake and flashing light	Brake and flashing light	Brake and flashing light
Potenza motore	0,75 - 1,1 kW	0,75 - 1,5 kW	0,75 - 1,5 kW
Contro board protection degree	IP54	IP54	IP54
Motor protection degree	IP54	IP54	IP54
Black-out standard opening	Manual rod	Manual rod	Manual rod
Black-out optional opening	-	UPS	UPS
Safety devices	(<12 m ²) CJS* + I/R photocell (>12 m ²) WSE** + I/R photocell	CJS* + I/R photocell WSE** + I/R photocell	CJS* + I/R photocell WSE** + I/R photocell
Optional safety device	Photocell barrier	Photocell barrier	Photocell barrier

* CJS curtain jamming sensor
** WSE wireless safety edge

Technical features

Max dimension	Clear opening width	5000mm
	Clear opening height	5000mm
Max Speed	Opening	Up to 1,5m/s (*)
	Closing	0,8m/s
Wind-load resistance	EN 12424	Up to class 3 (*)
Temperature range		-10°C ÷ +50°C
Fabric lacquered in PVC	Thickness – Weight	1,0mm – 900g/m ²
Transparent windows	Thickness	1mm
Frame	Material	Aluminum AW-6060 T6
	Standard surface	Natural
	Optional surface	Powder Coating
Side and fixing plates	Standard	Stainless Steel AISI 441
Motor position	External side	Left or Right
Durability	Total life (EN 12604)	1 000 000 cycles
Duty cycle	Ambient temperature ≤30°C	3 cycles/min

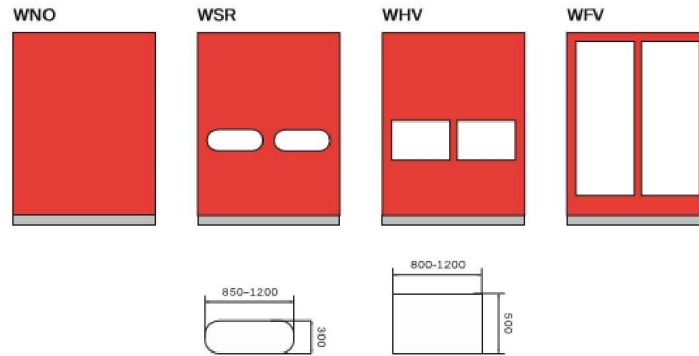
(*) According to the size



Curtain Standard Colours & Specifications:

Curtain = 1100 gr/sqm.

C = optional insulated curtain @ 3mm thick with thermal performance of (3,9 w²/K)





 **UK ROLLER SHUTTERS**
SUPPLIER & FITTER OF ROLLER SHUTTERS

TEL: +44(0) 1384 221743

EMAIL: SALES@UKROLLERSHUTTERS.CO.UK
