

GLV-11 Security Shutter

(Showing outboard motors)

Applications

High security commercial sites, up to 25m² - 50m².
Punched (GLV-11PU) & Perforated (GLV-11PE) slats can be incorporated as required for full or partial vision.

Curtain Slat

Single Skin 76mm (3") Curved Steel
Standard galvanised finish.
Wall thickness 0.7mm, 0.9mm, or 1.2mm, depending on overall shutter opening width.

N.B. Colour finishes available on request. Powder-coated or Plastisol finishes.

Visible Surface	76mm
Profile Height	86.6mm
Weight per M ²	10kg
Maximum Width	12,000mm
Maximum Surface	25m ² with single phase power or 50m ² with 3-phase power.

Housing

Manufactured from 0.7mm or 0.9mm galvanised steel sheet.
End caps are fabricated from 3mm steel.
Standard galvanised finish. Other colours available on request.

Shutter Height	Box Size
(up to mm)	(mm)
2500	305
4000	355
5500	400

3-phase motor applications enclosure sizes will vary dependent on the overall shutter size.

N.B. The above enclosure sizes are based on standard tube motor operation.

Guide Channels / Bottom Slat

Galvanised steel section bottom rail: either 'L' or 'T' shape.

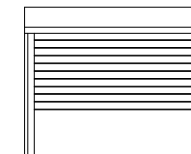
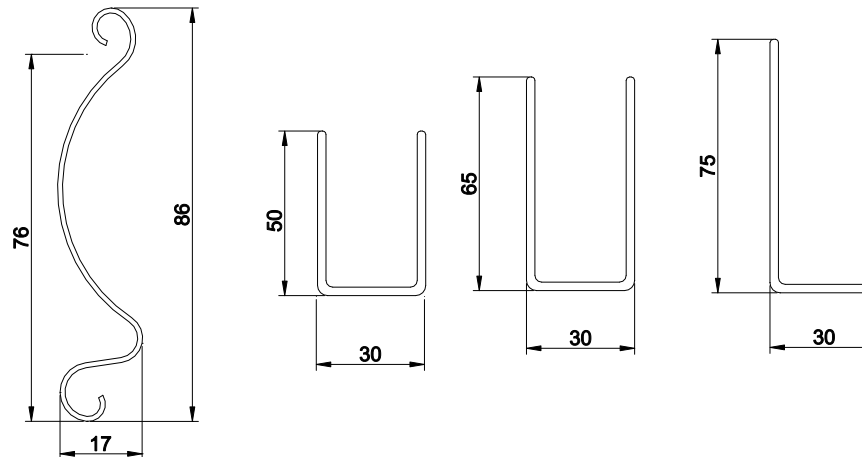
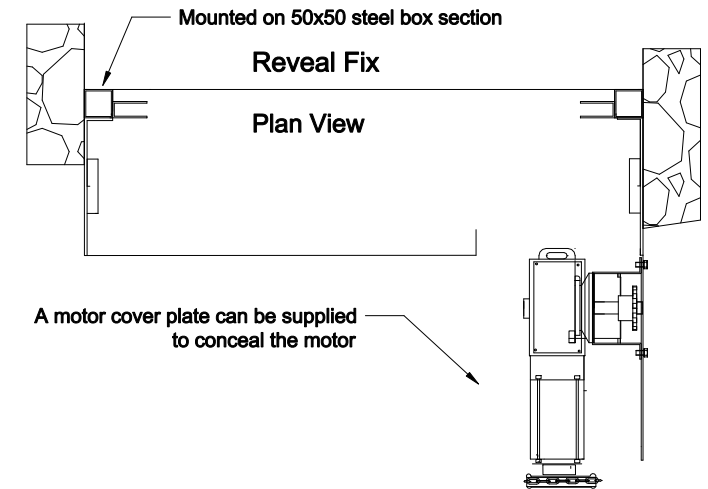
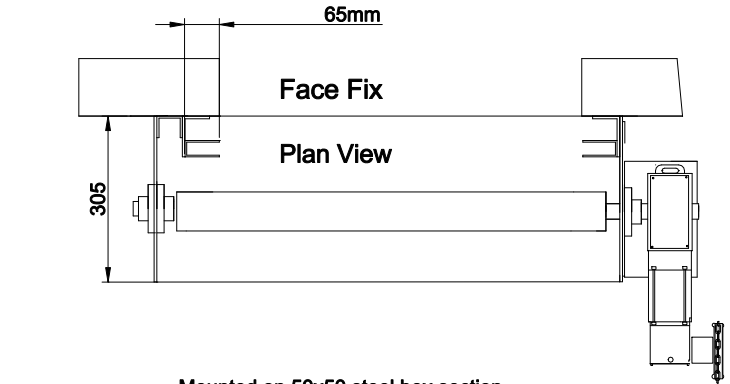
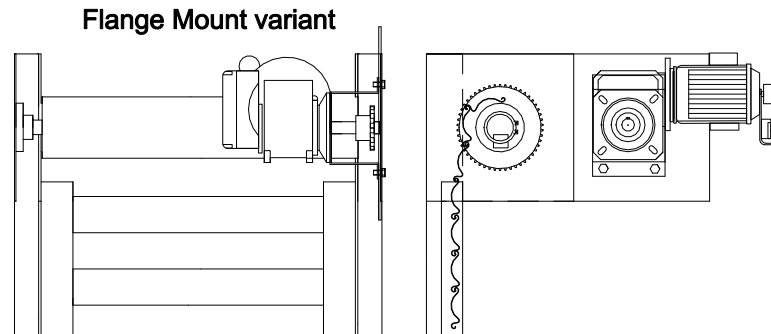
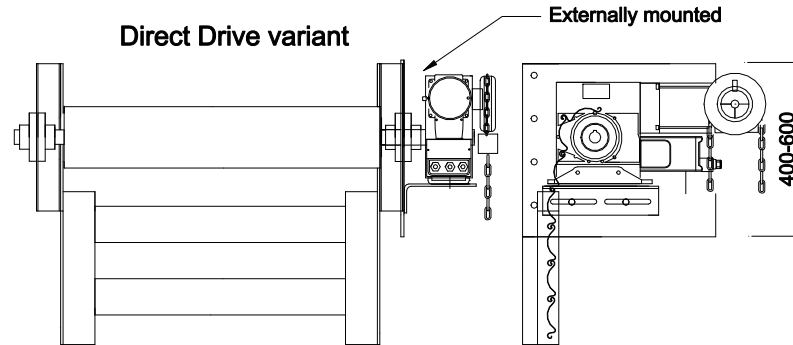
Guide channel depth will vary dependent on application from 50mm to 100mm (utilising windlocks on the slats).

Standard galvanised finish. Other colours available on request.
Guide channels are bolted onto angle or box section, depending on the application. See Plan drawings on this sheet.

Operation

Electric: Single-phase tubular motor or 3-phase outboard direct drive motor (dependent on curtain weight) with push button control. Numerous options such as group or remote control etc., available as required. Manual override facility as required.

Note: Manual operation is available but not common with the GLV-11; manual operation is advised for window shutters only.



UK Roller Shutters & Garage Doors
Yew Tree Farm
Gospel Ash Road
Bobbington
Stourbridge
DY7 5EF

Telephone: 01384 221743