



 **UK ROLLER SHUTTERS**
SUPPLIER & FITTER OF ROLLER SHUTTERS

**EXPEL ULTRA DUAL FLY
SCREEN AND SECURITY
SHUTTER**

EXPEL ULTRA DUAL FLY SCREEN AND SECURITY SHUTTER

Expel Ultra 41mm/Expel Ultra 55mm



PRODUCT DESCRIPTION

The Expel Ultra roller shutter combines a fly screen with an insulated roller shutter allowing you to have greater control of your environment and adding security to your premises.

The fly/insect screen is made from glassfibre and PVC weaved to allow 66% visibility to ensure that insects are kept out whilst airflow and sunlight are kept to a maximum.

These models are manufactured from either 41mm or 55mm insulated aluminium lath providing medium-high security. The insulated lath allows better retention of heat in the winter as well as offering sound reduction qualities and a near blackout of sunlight making this the ideal product over bedroom windows to help you sleep at night.

For larger openings, the 55mm model may have to be used as the 41mm model is designed for smaller dimensions.

IDEAL USES

- Over windows, patio doors, balcony's in domestic houses
- Food preparation areas/restaurants
- Areas where there are lots of flies, mosquitos or other insects

KEY FEATURES

- Allows high visibility
- Allows a high level of airflow
- Offers medium-high security
- Sound reduction qualities
- Insulation qualities
- Electrically operated

TECHNICAL SPECIFICATION

CURTAIN/SCREEN

Insect Screen

Warp and weft of 1mm from 36% glassfibre and 64% PVC in grey or black. Thickness 0.3mm and 120g

m2.

Curtain Slat

Aluminium double-skinned polyester powder coated slat with polyurethane foam insulating core. Vented or unvented options.

Colours: White, Brown, Cream, Grey or Silver. Vented and unvented options available.

Expel Ultra 41mm

Expel Ultra 55mm

Visible Face: 42mm

Visible Face: 55mm

Weight per m2: 4kg

Weight per m2: 5.5kg

Maximum Width: 3000mm

Maximum Width: 5000mm (larger sizes available on request)

Maximum Area: 7.5m2

Maximum Area: 13m2

Slat U-Value: 3.7 W/m2K

Slat U-Value: 2.2W/m2K

Enclosure and endplates

Roll-formed aluminium box with steel end plates mounted on steel hollow section supports.

Finish: White or Brown. Option to powder coat any RAL/BS colour (surcharge applies).

Expel Ultra 41mm

Guide Height (mm)	Plate Size (mm)
820	180
1250	250
2250	250

Expel Ultra 55mm

Guide Height (mm)	Plate Size (mm)
1700	300
2240	360

Plate sizes shown as a guide only and may vary.

BOTTOM SLAT

Extruded aluminium bottom slat with rubber weather seal.

GUIDES

Extruded aluminium guide channels with brush inserts for the security shutter; locking entry on the insect screen guide channel. Width of 53mm across the guide dual configuration.

Finish: White or Brown. Option to powder coat any RAL/BS colour (surcharge applies).

OPERATION

Electric: Somfy tubular motor and wireless internal rocker switch as standard. Both motors are actuated wirelessly. Safety brake as appropriate to comply with legislation. Manual override facility & crank handle for use with the security shutter curtain as required (surcharge applies).

Remote control handset also available.

CE compliant to all applicable directives and standards.

OPTIONS AND VARIATIONS

OPERATION/CONTROLS

Electric

Key switch

Radio/remote Control

Rocker switch

Timer closing

Loop and Radar operation

Smart phone

Swipe Card activation

FINISHES

Fly Screen

Can come in black or grey

Curtain

Can come powder coated in a variety of colours

Can come in a vented and non-vented option

Metallic Parts

Can be Polyester powder coated or plastisol coated in a range of standard RAL colours' for an extra charge.

ILLUSTRATIONS







Expel Ultra 55mm with Integrated Insect Screen

APPLICATIONS

Medium to high security domestic and commercial sites requiring an insect screen in addition to insulation and sound proofing. Suitable for internal face or reveal fit over spans up to 5m wide.

SCREEN

Warp and weft of 1mm from 35% glassfibre and 64% PVC in grey or black. Thickness 0.3mm and 120g m². Zip-locked edges hold the fabric into the guide channels. Patented barrel attachment ensures no folds on the fabric.

CURTAIN SLAT

Aluminium double-skinned polyester powder coated slat with polyurethane foam insulating core. Vented or unvented options. Colours: White, Brown, Cream, Grey or Silver. Vented and unvented options available.

Visible Face:	55mm
Weight per m ² :	5.5kg
Maximum Width:	5000mm
Maximum Area:	13m ²
Slat U-Value:	2.2W/m ² K

ENCLOSURE

Roll-formed aluminium box with steel end plates mounted on steel hollow section supports.

Finish: White or Brown. Option to powder coat any RAL / BS colour (surcharge applies).

Guide height (mm)	Plate Size (mm)
1700	300
2240	360

Plate sizes shown as a guide only and may vary.

BOTTOM SLAT

Extruded aluminium bottom slat with rubber weather seal on the security shutter; ballast weighted aluminium bottom bar with rubber weather seal on the insect screen.

GUIDE CHANNELS

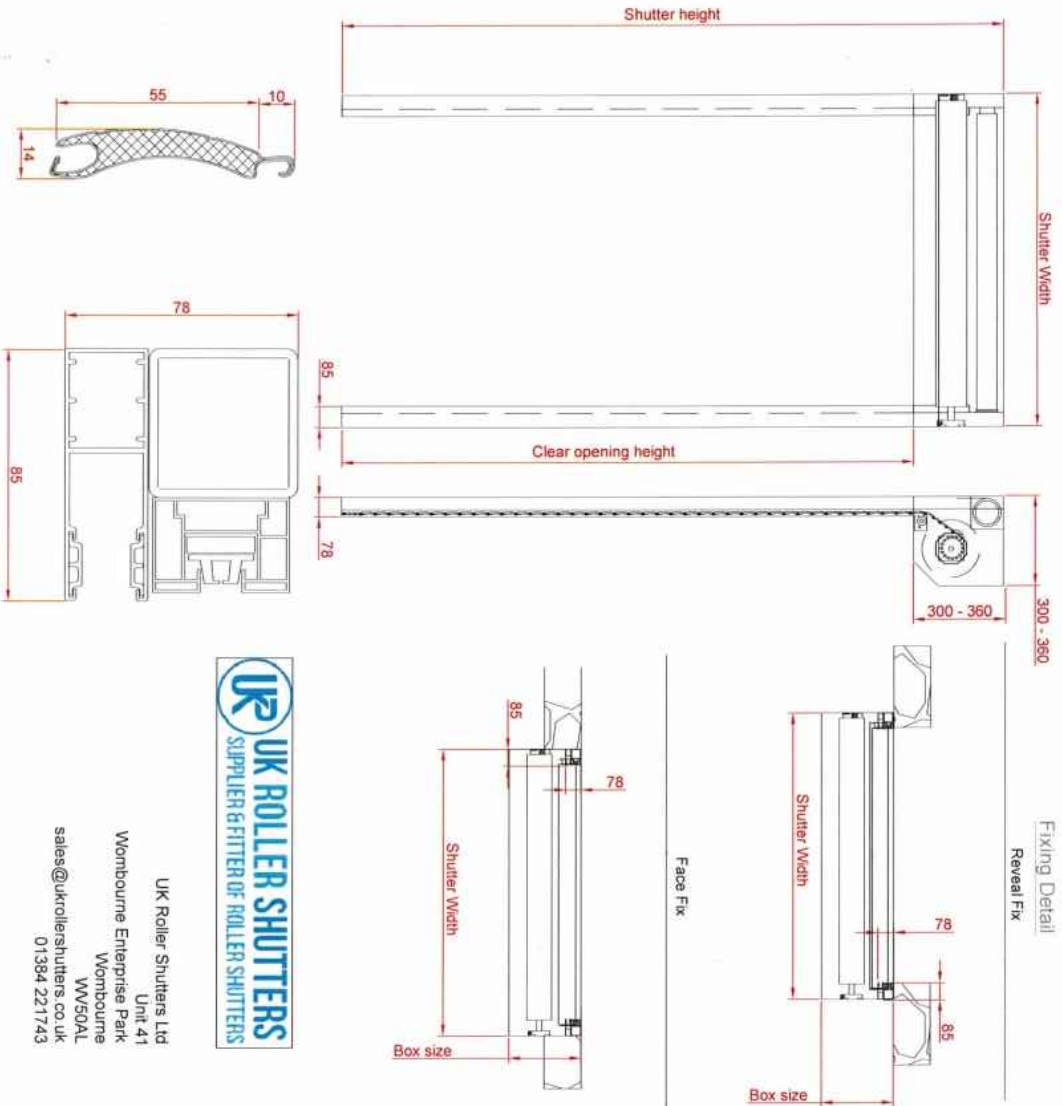
Extruded aluminium guide channels with brush inserts for the security shutter; locking entry on the insect screen guide channel. Width of 85mm across the guide dial configuration. Finish: White or Brown. Option to powder coat any RAL / BS colour (surcharge applies).

OPERATION

Electric: 30vty tubular motor with wireless internal rocker switch as standard. Both motors are actuated wirelessly. Safety brake as appropriate to comply with legislation. Manual override facility & crank handle for use with the security shutter curtain as required (surcharge applies).

Remote control handset also available along with shutter closing safety devices.

CE compliant to all applicable directives and standards.



UK Roller Shutters Ltd
 Unit 41
 Wombourne Enterprise Park
 Wombourne
 WV50AL
 sales@ukrollershutters.co.uk
 01394 221743

Expel Ultra 41mm with Integrated Insect Screen

APPLICATIONS

Medium security domestic and commercial sites requiring an insect screen in addition to insulation and sound proofing. Suitable for internal face or reveal fit.

SCREEN

Warp and weft of 1mm from 36% glassfibre and 64% PVC in grey or black. Thickness 0.3mm and 120g/m².

CURTAIN SLAT

Aluminium double skinned aluminium polyester powder-coated slat with polyurethane foam insulating core.

Finish: White, Brown, Grey, Silver or Cream. Vented and unvented options available.

Visible Face: 42mm
 Weight per m²: 4kg
 Maximum Width: 3000mm
 Maximum Area: 7.5m²
 Slat U-Value: 3.7 W/m²K

ENCLOSURE

Roll formed aluminium box with pressure-moulded aluminium alloy end plates enclosing both security shutter and insect screen in a single enclosure. Circular box available for 180mm and 205mm sizes (surcharge applies).

Finish: White or Brown. Option to powder coat any RAL/BS colour (surcharge applies).

Guide height (mm)	Plate Size (mm)
620	180
1250	250
2250	250

Plate sizes shown as a guide only and may vary.

BOTTOM SLAT

Extruded aluminium bottom slat with rubber weather seal.

GUIDE CHANNELS

Dual entry extruded aluminium guide channels with brush inserts. Width of 53mm.

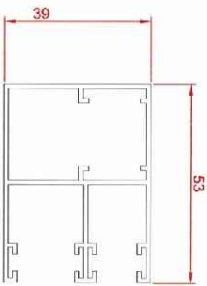
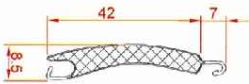
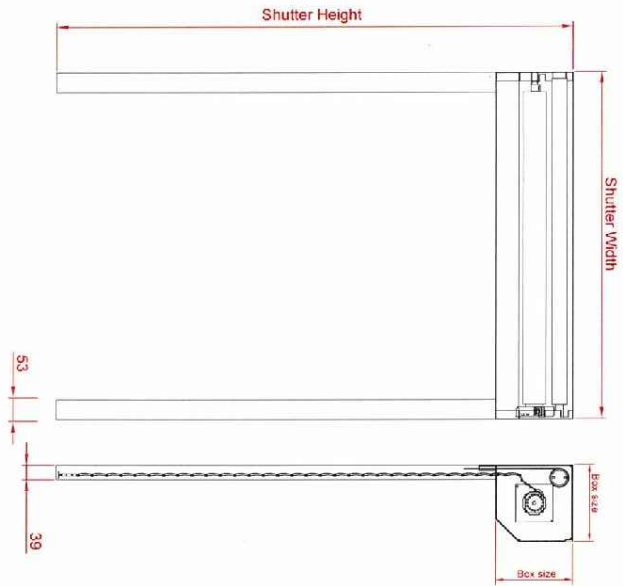
Finish: White or brown. Option to powder coat any RAL/BS colour (surcharge applies).

OPERATION

Electric: 50mV tubular motor and wireless internal rocker switch as standard. Both motors are actuated wirelessly. Safety brake as appropriate to comply with legislation. Manual override facility & crank handle for use with the security shutter curtain as required (surcharge applies).

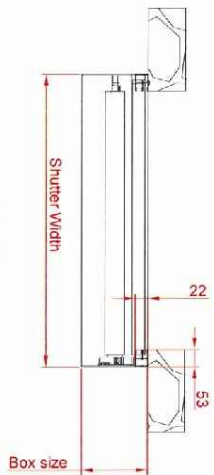
Remote control handset also available.

CE compliant to all applicable directives and standards.

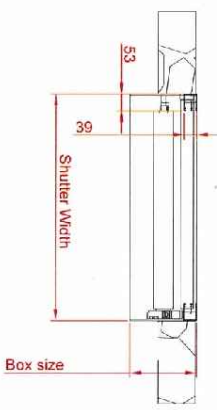


Fixing Detail

Reveal Fix



Face Fix



UK Roller Shutters Ltd
 Unit 41
 Wombourne Enterprise Park
 Wombourne
 WV50AL
 sales@ukrollershutters.co.uk
 01384 221743



 **UK ROLLER SHUTTERS**
SUPPLIER & FITTER OF ROLLER SHUTTERS

TEL: +44(0) 1384 221743

EMAIL: SALES@UKROLLERSHUTTERS.CO.UK
