

# Expel Ultra 55mm with Integrated Insect Screen

## APPLICATIONS

Medium to high security domestic and commercial sites requiring an insect screen in addition to insulation and sound proofing. Suitable for internal face or reveal fit over spans up to 5m wide.

## SCREEN

Warp and weft of 1mm from 36% glassfibre and 64% PVC in grey or black. Thickness 0.3mm and 120g m<sup>2</sup>. Zip-locked edges hold the fabric into the guide channels. Patented barrel attachment ensures no folds on the fabric.

## CURTAIN SLAT

Aluminium double-skinned polyester powder coated slat with polyurethane foam insulating core. Vented or unvented options. Colours: White, Brown, Cream, Grey or Silver. Vented and unvented options available.

Visible Face:	55mm
Weight per m <sup>2</sup> :	5.5kg
Maximum Width:	5000mm
Maximum Area:	13m <sup>2</sup>
Slat U-Value:	2.2W/m <sup>2</sup> K

## ENCLOSURE

Roll-formed aluminium box with steel end plates mounted on steel hollow section supports.

Finish: White or Brown. Option to powder coat any RAL / BS colour (surcharge applies).

Guide Height (mm)	Plate Size (mm)
1700	300
2240	360

Plate sizes shown as a guide only and may vary.

## BOTTOM SLAT

Extruded aluminium bottom slat with rubber weather seal on the security shutter; ballast weighted aluminium bottom bar with rubber weather seal on the insect screen.

## GUIDE CHANNELS

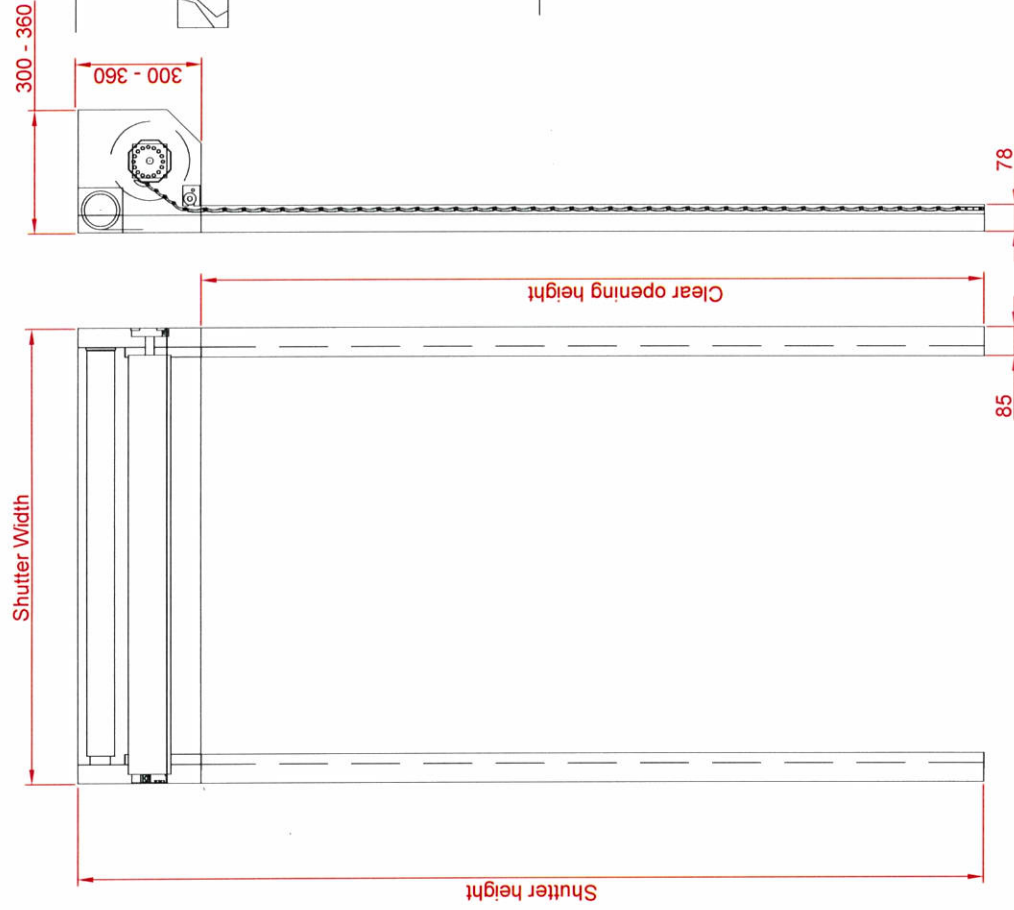
Extruded aluminium guide channels with brush inserts for the security shutter; locking entry on the insect screen guide channel. Width of 85mm across the guide dual configuration. Finish: White or Brown. Option to powder coat any RAL / BS colour (surcharge applies).

## OPERATION

Electric: Somfy tubular motor with wireless internal rocker switch as standard. Both motors are actuated wirelessly. Safety brake as appropriate to comply with legislation. Manual override facility & crank handle for use with the security shutter curtain as required (surcharge applies).

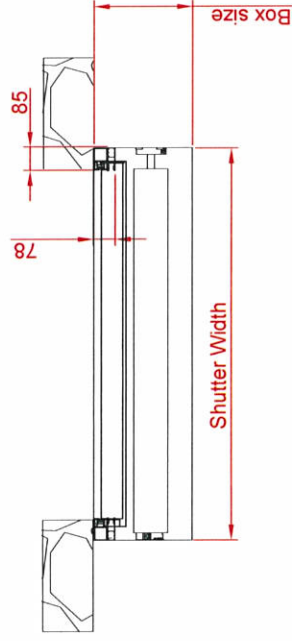
Remote control handset also available along with shutter closing safety devices.

CE compliant to all applicable directives and standards.

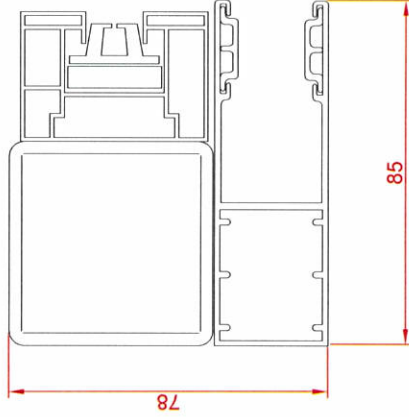
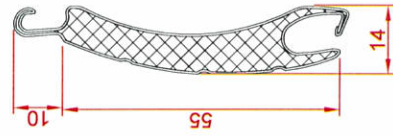
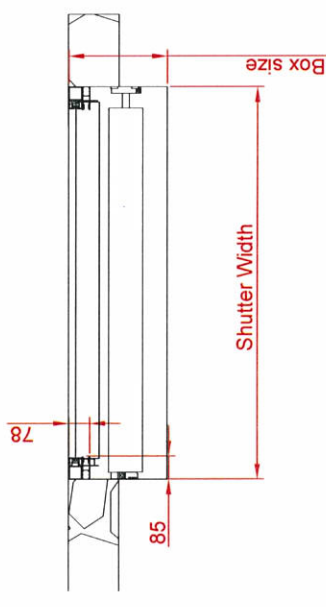


Fixing Detail

Reveal Fix



Face Fix



UK Roller Shutters Ltd  
 Unit 41  
 Wombourne Enterprise Park  
 Wombourne  
 WV50AL  
 sales@ukrollershutters.co.uk  
 01384 221743