

Expel Ultra 41mm with Integrated Insect Screen

APPLICATIONS

Medium security domestic and commercial sites requiring an insect screen in addition to insulation and sound proofing. Suitable for internal face or reveal fit.

SCREEN

Warp and weft of 1mm from 36% glassfibre and 64% PVC in grey or black. Thickness 0.3mm and 120g m².

CURTAIN SLAT

Aluminium double skinned aluminium polyester powder-coated slat with polyurethane foam insulating core.

Finish: White, Brown, Grey, Silver or Cream. Vented and unvented options available.

Visible Face: 42mm

Weight per m²: 4kg

Maximum Width: 3000mm

Maximum Area: 7.5m²

Slat U-Value: 3.7 W/m² K

ENCLOSURE

Roll-formed aluminium box with pressure-moulded aluminium alloy end plates enclosing both security shutter and insect screen in a single enclosure. Circular box available for 180mm and 205mm sizes (surcharge applies).

Finish: White or Brown. Option to powder coat any RAL / BS colour (surcharge applies).

Guide Height (mm)	Plate Size (mm)
820	180
1250	250
2250	250

Plate sizes shown as a guide only and may vary.

BOTTOM SLAT

Extruded aluminium bottom slat with rubber weather seal.

GUIDE CHANNELS

Dual entry extruded aluminium guide channels with brush inserts. Width of 53mm.

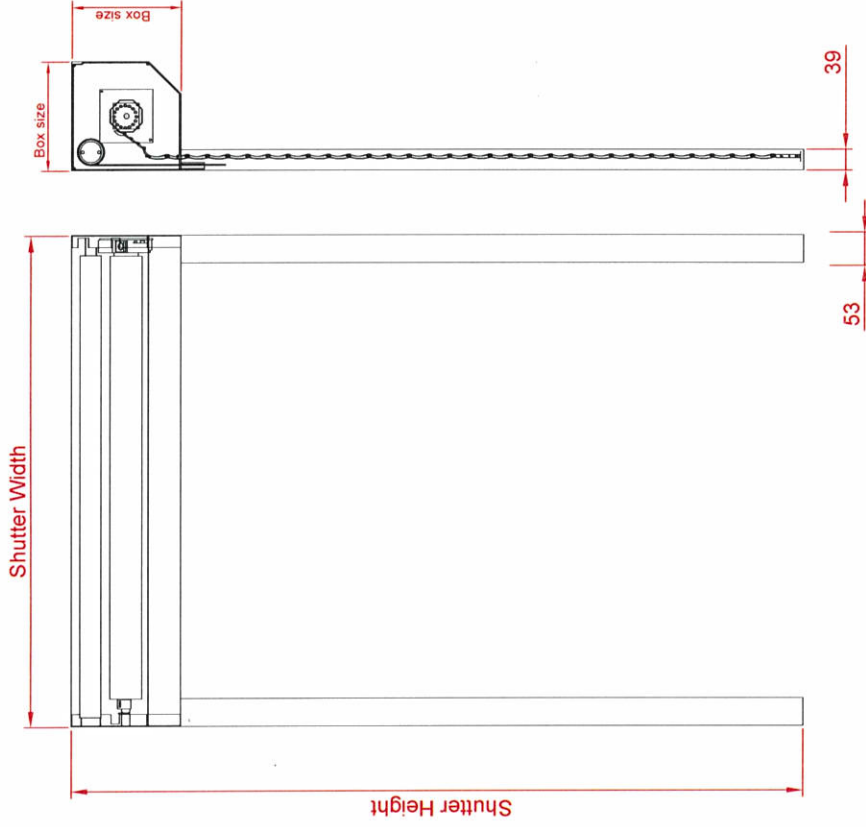
Finish: White or brown. Option to powder coat any RAL / BS colour (surcharge applies).

OPERATION

Electric: Somfy tubular motor and wireless internal rocker switch as standard. Both motors are actuated wirelessly. Safety brake as appropriate to comply with legislation. Manual override facility & crank handle for use with the security shutter curtain as required (surcharge applies).

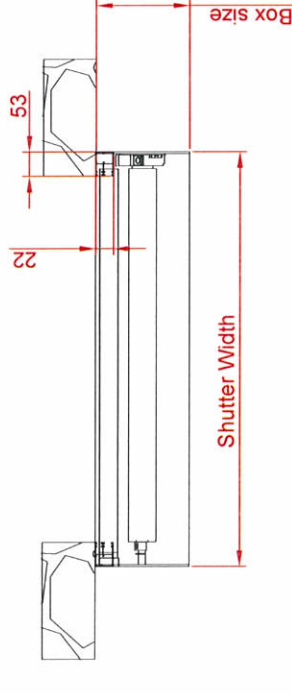
Remote control handset also available.

CE compliant to all applicable directives and standards.

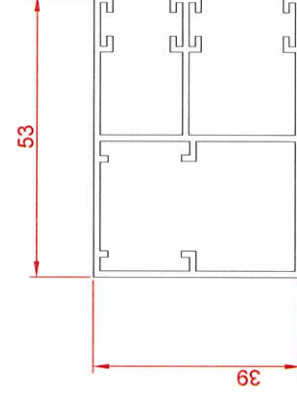
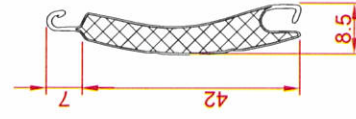
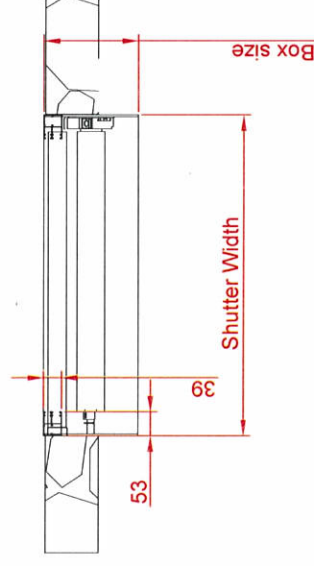


Fixing Detail

Reveal Fix



Face Fix



UK Roller Shutters Ltd
Unit 41

Wombourne Enterprise Park
Wombourne
WV50AL

sales@ukrollershutters.co.uk
01384 221743