

# ALU-12PU Security Shutter

## Applications

High security commercial sites & shop-front applications, up to 25m<sup>2</sup>. The ALU-12E77 & ALU-12PU can be upgraded to insurance approved Secure By Design status - LPS1175 (6.0) SR2 ( see V77 Elite Security Shutter) .

The ALU-12PU shutter affords 41% vision as well as an outstanding security rating among vision profiles. The slat offers polycarbonate inserts to infill the punched section if required, adding to the thermal insulation properties and the security value.

## Curtain Slat

Single-skinned extruded aluminium.  
Standard colours: any BS / RAL colour as standard.

Blind Surface: 77mm

Weight per m<sup>2</sup> (w/o inserts): 7.5kg

Weight per m<sup>2</sup> (with inserts): 9kg

Maximum Width: 6500mm

Maximum Surface: 25m<sup>2</sup>

## Enclosure

Manufactured from roll-formed aluminium with a stove-enamelled finish.

End caps are pressure-moulded aluminium alloy.  
Standard colours: any RAL / BS colour as standard.

## Shutter height Box Size

Shutter height (mm)	Box Size (up to mm)
2700	300
5000	360

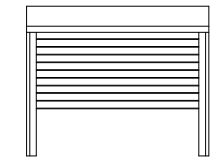
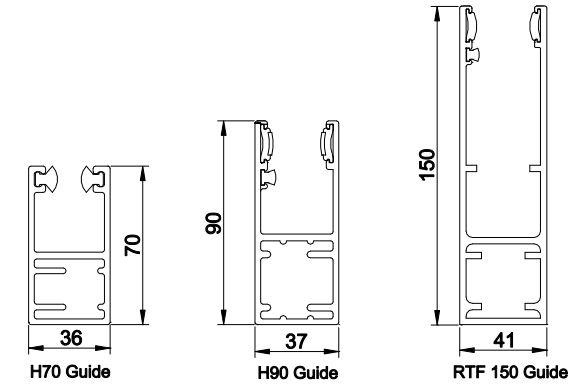
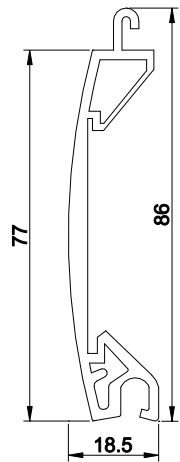
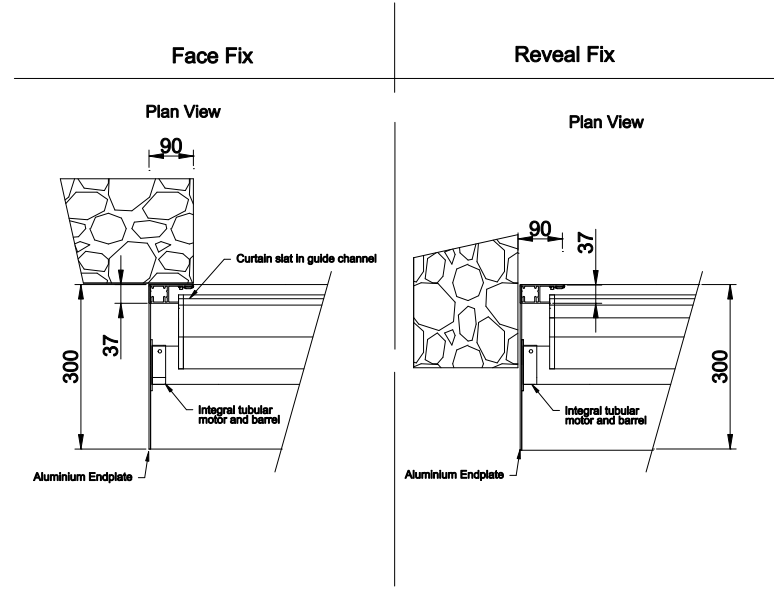
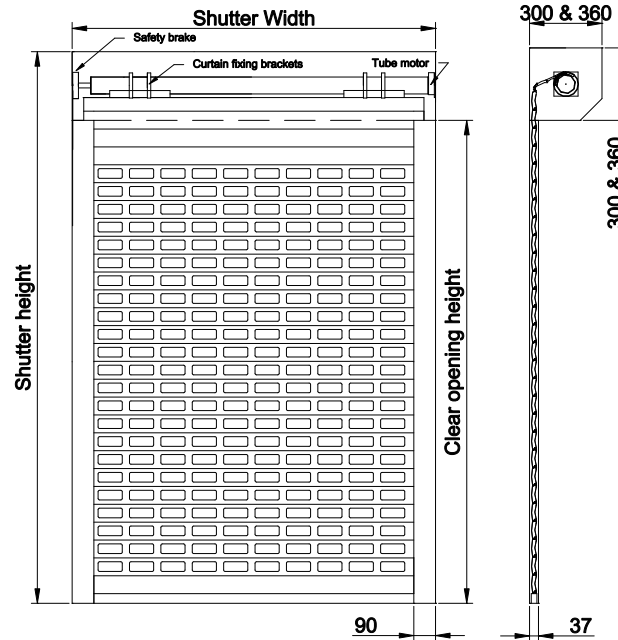
## Guide Channels / Bottom Slat

Extruded aluminium bottom slat with EPDM weather seal.  
Guide channels with brush infill, and channel depth of 70, 90, or 150mm.

## Operation

Electric: Single phase tubular motor & wall switch as standard.  
Numerous options such as group or remote control etc. Manual override facility as required.

Note: Manual operation is available but not common for the ALU-12PU since the large area usually covered by the shutter contributes to the weight of the weight.



UK Roller Shutters & Garage Doors  
Yew Tree Farm  
Gospel Ash Road  
Bobbington  
Stourbridge  
DY7 5EF

Telephone: 01384 221743