

Xpose Blackout Awning, Electrically operated

APPLICATIONS

An electrically operated vertically running roller blackout screen for domestic and commercial sites; suitable for large openings. The sun-blocking awning is an alternative to traditional roller shutters and repels 100% of direct rays of the sun. The system also improves window insulation and provides a barrier to thermal radiation (reducing heat gain in summer, and minimizing heat loss during winter). The fabric naturally resists mould and micro-organisms, and is fully waterproof. Can be used both internally and externally. It is also a guaranteed fire retardant and is certified by third party accredited test bodies. Being Greenguard-certified, installing the roller awning can contribute significantly to the rating of a building's energy system, and assist in meeting the EPBD Directive.

BLACKOUT SCREEN

Textile: Sunworker Opaque, by Dickson high-strength polyester yarn, coated in special UV and weather resisting material

Weight:

0.51kg/m²

Flame Retardancy: M1 (NF 92503) - B1 (DIN4102)

Tearing Strength: Warp 69 daN/5cm; Weft 40 daN/5cm

Tensile Strength: Warp 245 daN/5cm; Weft 160 daN/5cm

Thickness: 0.49mm

U Value (fabric): 1.2 W/m² K

Max width: 6000mm

Max height: 6000mm

Colours: RAL 9016 White, RAL 7045 Silver, RAL 7047 Grey, RAL 7032 Beige, RAL 5024 Frost, RAL 7030 Elephant

ENCLOSURE

Complete roll-formed aluminium box with pressure-moulded aluminium alloy end plates. End plates slot into guide channels.

Finish: White or Brown. Option to powder coat any RAL / BS colour (surcharge applies).

Overall Width (mm) Plate Size (mm)

2000	89
4000	103
5000	131

Plate sizes shown as a guide only and may vary.

BOTTOM SLAT

Extruded aluminium bottom slat and concealed ballast with rubber weather seal and side locking.

GUIDE CHANNELS

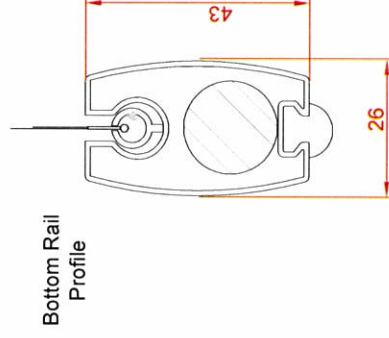
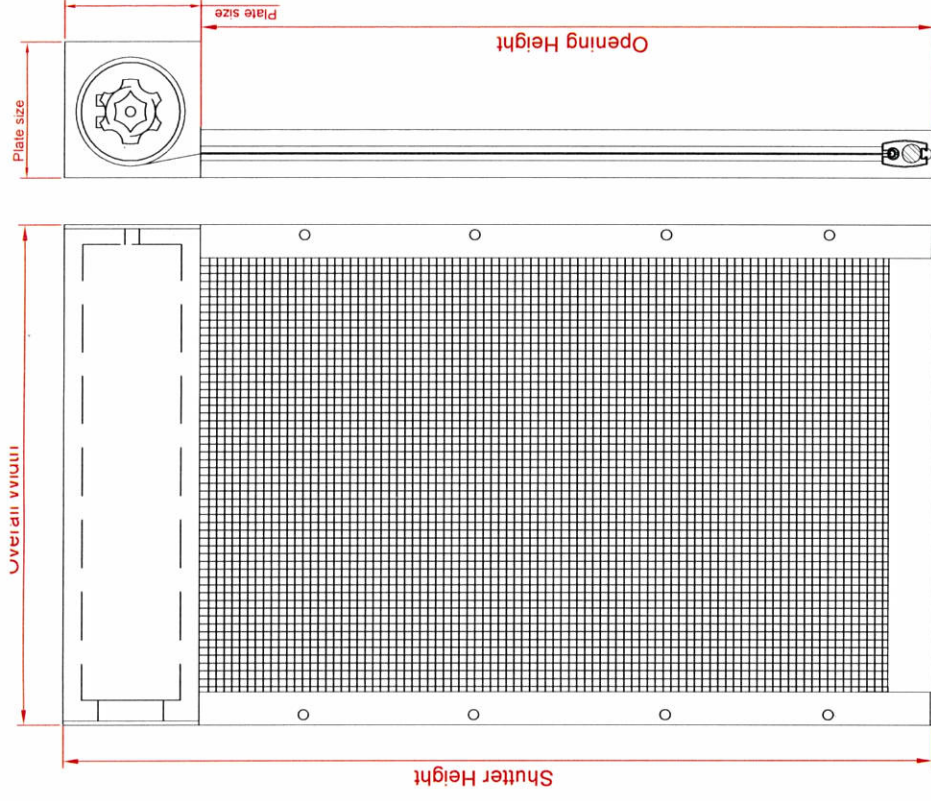
Aluminium guide channels, polyester powder coated, with floating zip lock system to ensure the screen remains firmly inside the guide channels. Guide channel width of 32mm.

Finish: White or Brown. Option to powder coat any RAL / BS colour (surcharge applies).

OPERATION

Electric: Tubular motor and internal rocker switch as standard. Remote control handset, and a range of group control and multi-channel operation options also available, subject to surcharge.

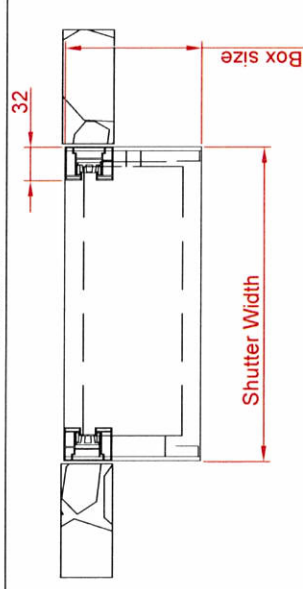
CE compliant to all applicable directives and standards.



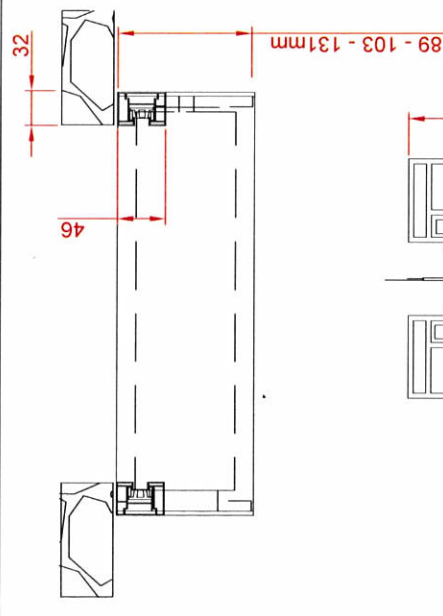
Bottom Rail Profile

Fixing Detail

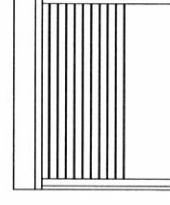
Reveal Fix



Face Fix



Locking Guide Channel



UK Roller Shutters Ltd
Yew Tree Farm
Gospel Ash Road
Bobbington
Stourbridge
DY7 5EF

Telephone: 01384 221743